

T STRAINERS IS40T (ASME)

DESCRIPTION

The ADCA IS40T cast steel T strainers are applicable in all types of steam, water, oil and air systems.

Their purpose is to protect traps, regulating valves, piping, etc. from dirt and impurities, which are often the cause of damage and consequent energy loss of fluid systems.

OPTIONS: Other screen apertures.
Drain plug or drain valve in strainer cap.

USE: Saturated steam, water, oil, air and other fluids compatible with the construction materials.

AVAILABLE MODELS: IS40TS – carbon steel.
IS40Ti – stainless steel.

SIZES: 1" to 4".

SCREENS: 0,5 mm aperture – 1".
1,5 mm aperture – 1 1/2" to 3".
2 mm aperture – 4".
Others on request.

CONNECTIONS: Flanged ASME B16.5 Class 150 or 300.

INSTALLATION: Horizontal or vertical installation.
See IMI – Installation and maintenance instructions.



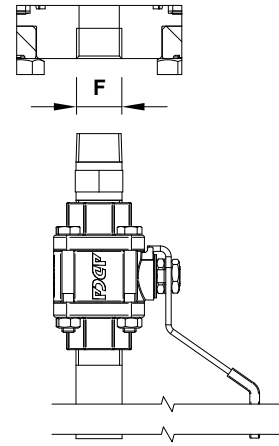
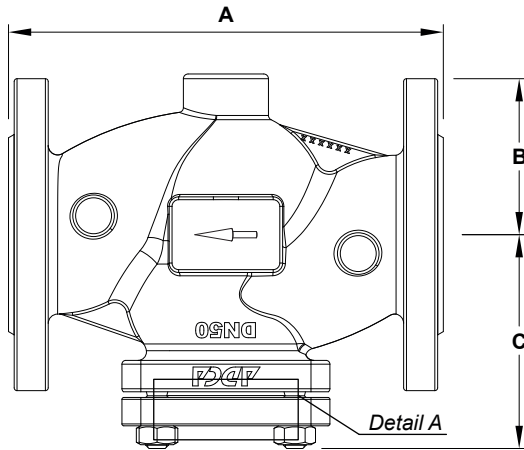
CE MARKING – GROUP 2 (PED – EUROPEAN DIRECTIVE)

| CLASS 150 | CLASS 300 | CATEGORY |
|-----------|--------------|---------------|
| 1" to 2" | 1" | SEP |
| 3" to 4" | 1 1/2" to 4" | 1 (CE marked) |

BODY LIMITING CONDITIONS *

| IS40TS | | | | IS40Ti | | | |
|--------------------|---------------------|--------------------|---------------------|--------------------|---------------------|--------------------|---------------------|
| CLASS 150 | | CLASS 300 | | CLASS 150 | | CLASS 300 | |
| ALLOWABLE PRESSURE | RELATED TEMPERATURE | ALLOWABLE PRESSURE | RELATED TEMPERATURE | ALLOWABLE PRESSURE | RELATED TEMPERATURE | ALLOWABLE PRESSURE | RELATED TEMPERATURE |
| 19,3 bar | - 10 / 50 °C | 50 bar | - 10 / 50 °C | 18,4 bar | - 10 / 50 °C | 48,1 bar | - 10 / 50 °C |
| 15,8 bar | 150 °C | 43,9 bar | 200 °C | 14,8 bar | 150 °C | 35,8 bar | 200 °C |
| 12,1 bar | 250 °C | 36,9 bar | 350 °C | 12 bar | 250 °C | 30,4 bar | 350 °C |
| 8,4 bar | 350 °C | 34,6 bar | 400 °C | 8,4 bar | 350 °C | 29,3 bar | 400 °C |

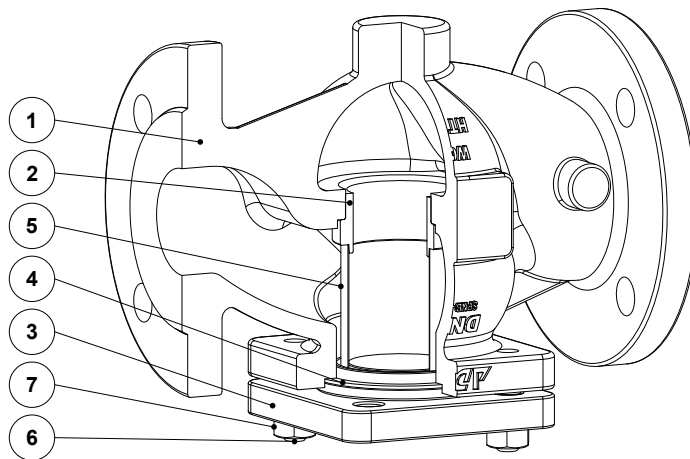
* Rating according to EN 1759-1:2004.



Detail A

| DIMENSIONS (mm) | | | | | | |
|-----------------|-----|-----------|-----------|-----|------|-------------|
| SIZE | A | CLASS 150 | CLASS 300 | C | F * | WEIGHT (kg) |
| | | B | B | | | |
| 1" | 197 | 54 | 62 | 80 | 1/2" | 5,3 |
| 1 1/2" | 235 | 63,5 | 78 | 105 | 1/2" | 9,6 |
| 2" | 267 | 76 | 82,5 | 115 | 1/2" | 14 |
| 3" | 317 | 95 | 105 | 155 | 1/2" | 27,9 |
| 4" | 368 | 114,5 | 127 | 165 | 1/2" | 34,6 |

* Others on request.



| MATERIALS | | | |
|-----------|-------------------|-------------------------------------|----------------------------|
| POS. No. | DESIGNATION | IS40TS | IS40Ti |
| 1 | Body | A216 WCB / 1.0619; GP240GH / 1.0619 | A351 CF8M / 1.4408 |
| 2 | Centering ring | AISI 304 / 1.4301 | AISI 304 / 1.4301 |
| 3 | Cover | AISI 304 / 1.4301 | AISI 304 / 1.4301 |
| 4 | * Gasket | Stainless steel / Graphite | Stainless steel / Graphite |
| 5 | * Strainer screen | AISI 304 / 1.4301 | AISI 304 / 1.4301 |
| 6 | Stud | EN 10269 steel | Stainless steel A2-70 |
| 7 | Nut | EN 10269 steel | Stainless steel A2-70 |

* Available spare parts.